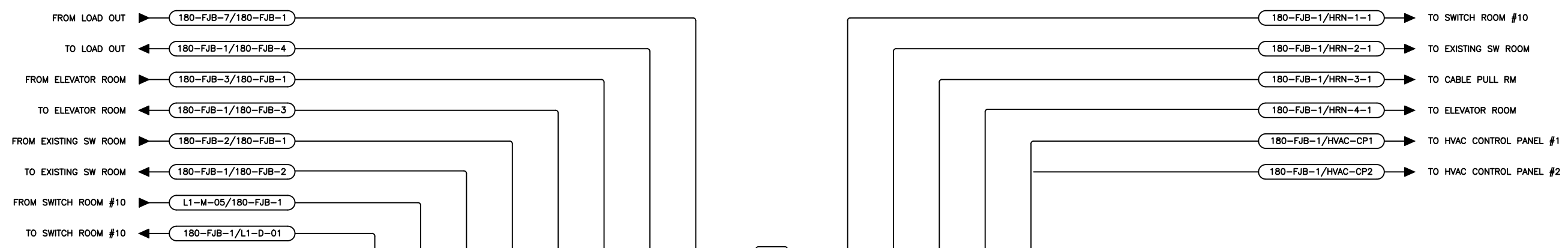


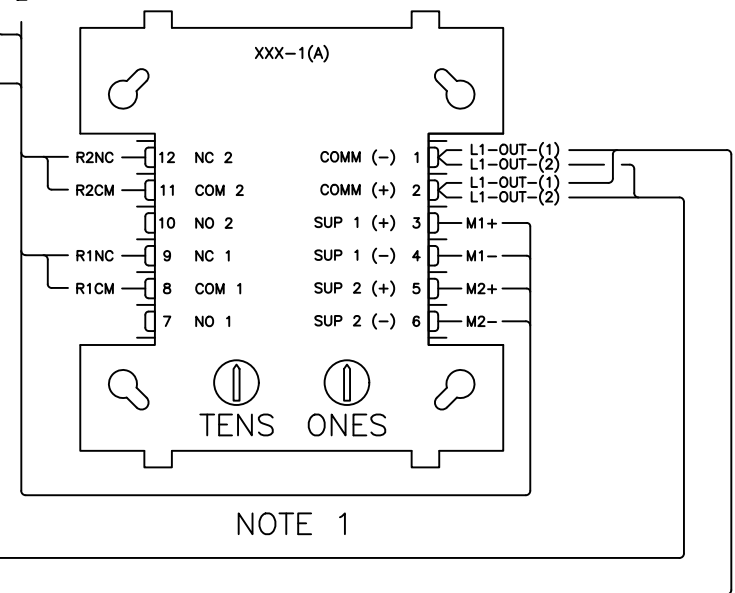
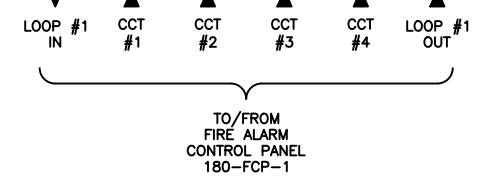
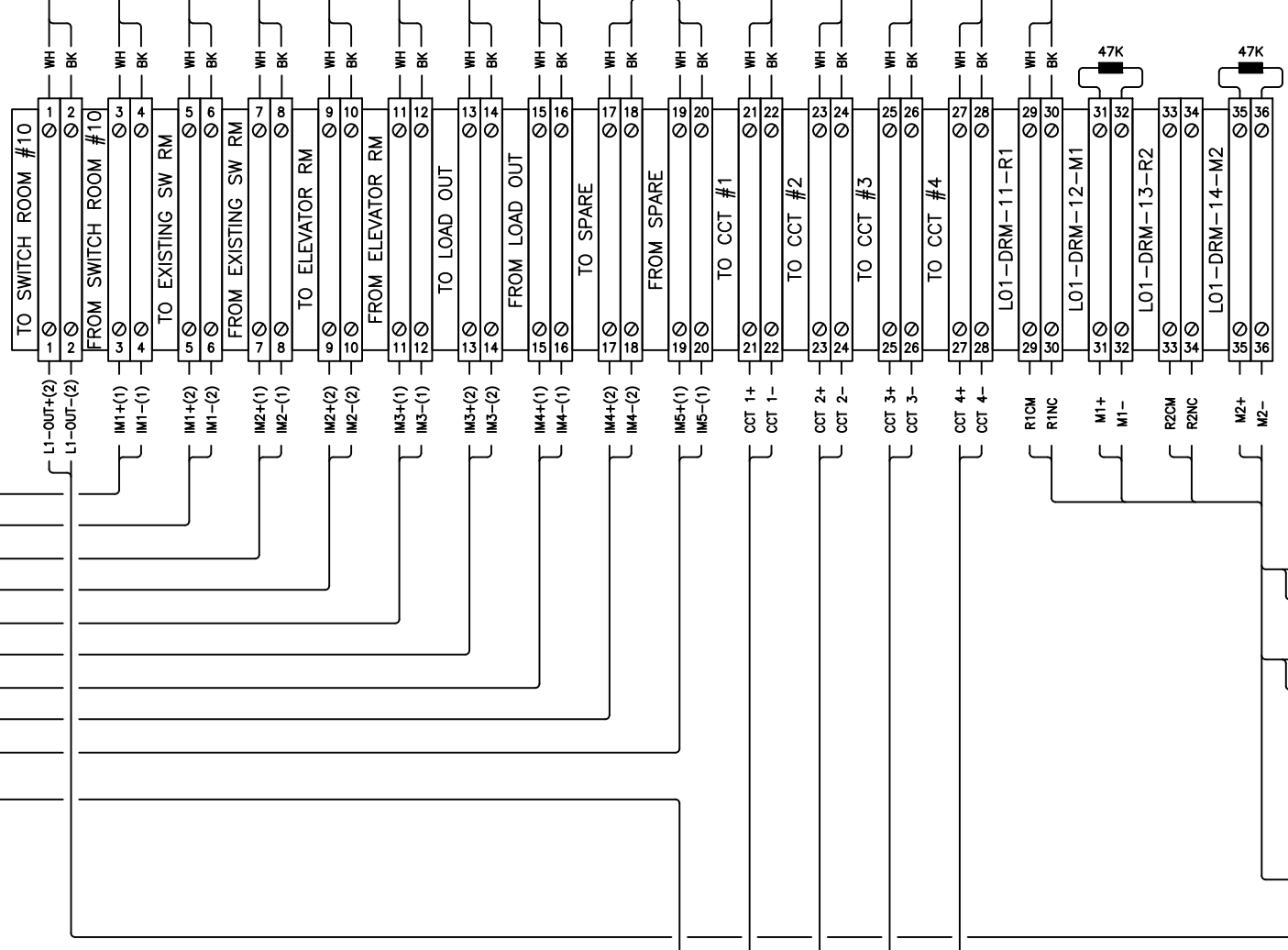
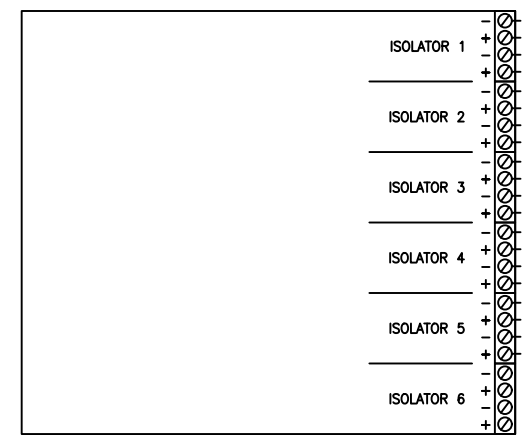
180-FJB-1



NOTE 2

NOTES

- 1) SET ROTARY SWITCHES TO 11.
- 2) "+" WHITE CONDUCTOR #14 AND "-" BLACK CONDUCTOR #14.



NOTE 1

NOTES

6				PROJECT
5				FJB - WIRING
4				
3				
2				TITLE SAMPLE
1	AA	ISSUED FOR REVIEW.	YY/MM/DD	
#	BY	DESCRIPTION	DATE	DRAWN BB
				DATE YYYY/MM/DD
	PHONE			CHKD CC
	OFFICE			CONTRACT # N/A
		SCALE	NTS	DWG. # 1 of 1

