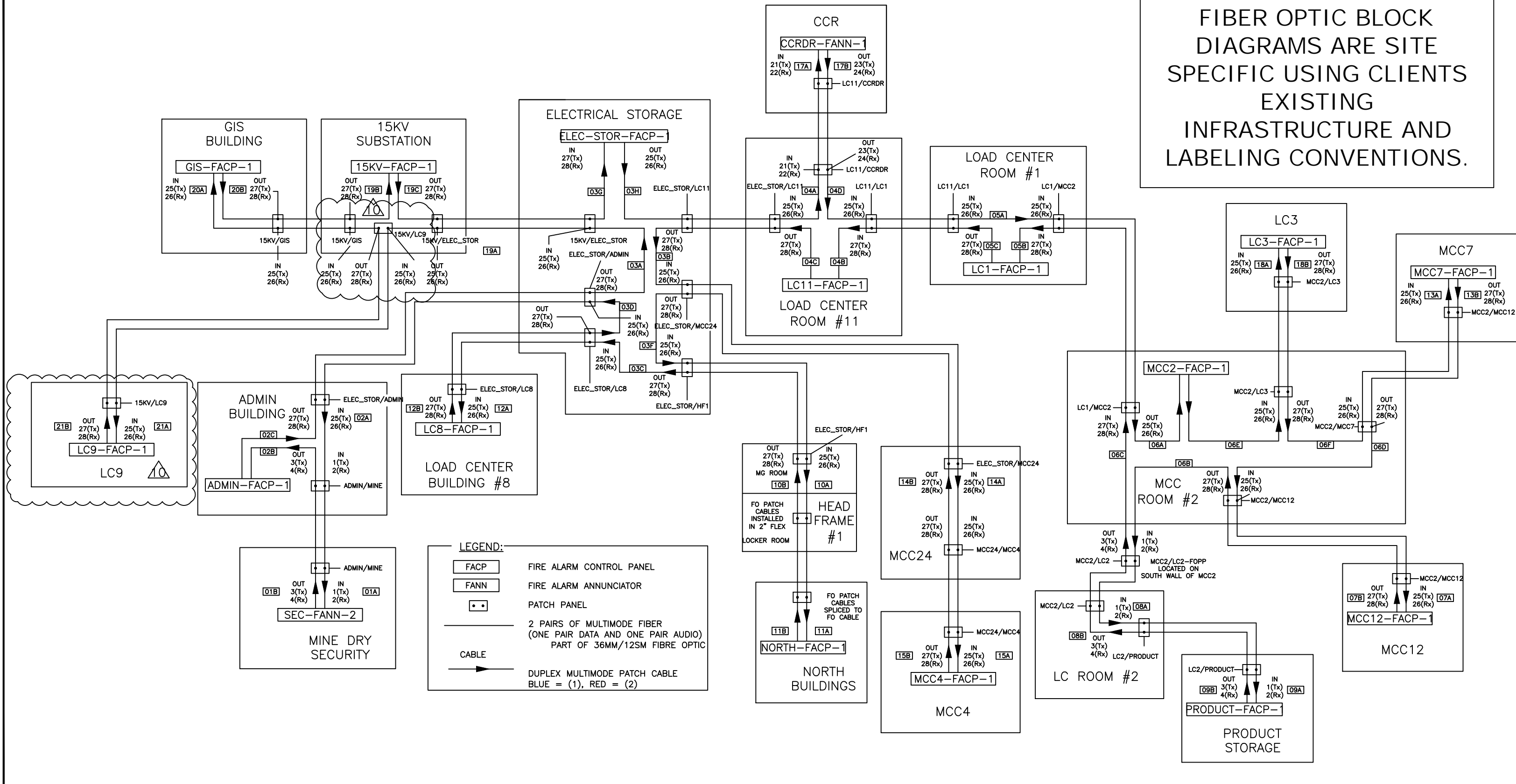


FIBER OPTIC BLOCK DIAGRAMS ARE SITE SPECIFIC USING CLIENTS EXISTING INFRASTRUCTURE AND LABELING CONVENTIONS.



LEGEND:

- FACP FIRE ALARM CONTROL PANEL
- FANN FIRE ALARM ANNUCIATOR
- PATCH PANEL
- 2 PAIRS OF MULTIMODE FIBER (ONE PAIR DATA AND ONE PAIR AUDIO) PART OF 36MM/12SM FIBRE OPTIC
- > DUPLEX MULTIMODE PATCH CABLE BLUE = (1), RED = (2)

NOTES

6				PROJECT
5				FIBER OPTIC
4				CONNECTIVITY
3				
2				
1	AA	ISSUED FOR REVIEW.	YY/MM/DD	TITLE SAMPLE
#	BY	DESCRIPTION	DATE	DRAWN BB
				DATE YYYY/MM/DD
	PHONE			CHKD CC
	OFFICE			CONTRACT # N/A
		SCALE	NTS	DWG. # 1 of 1

